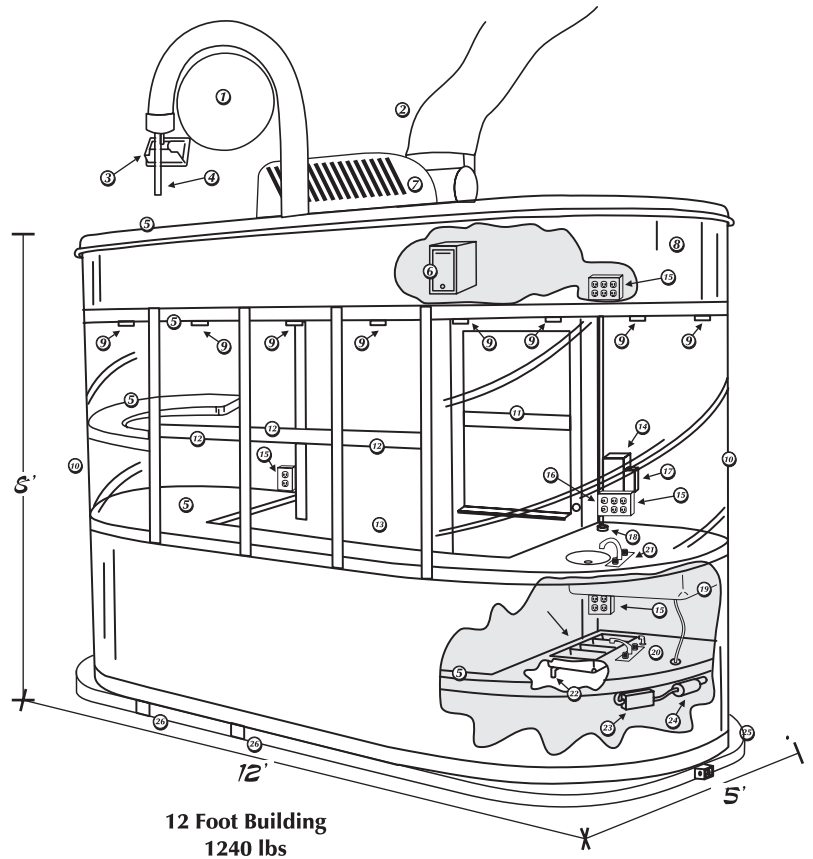
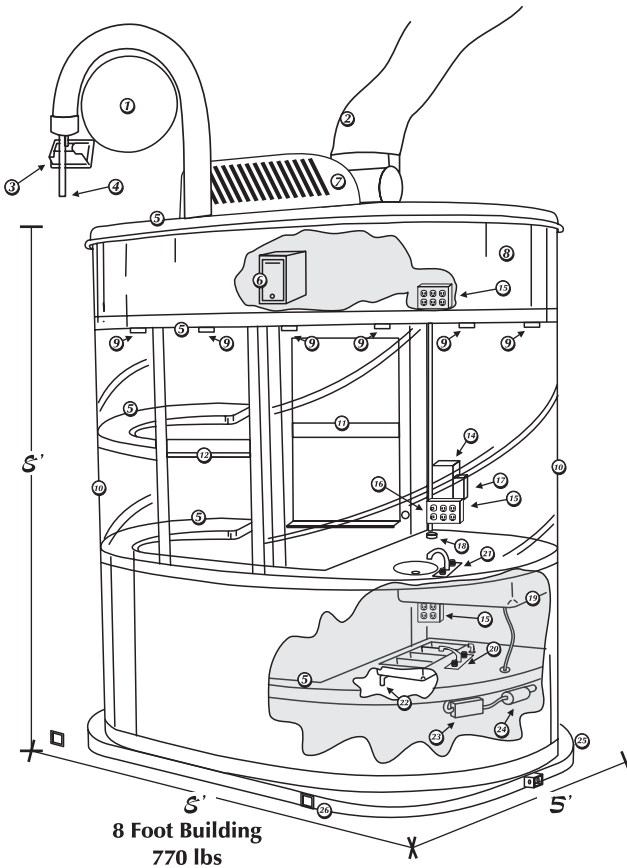




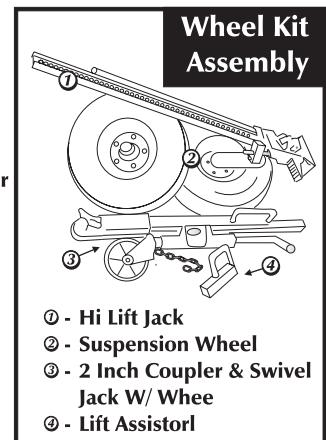
You just can't get any cooler than the Snowie building. This ultra-modern, portable building is designed with both form and function in mind. Not only is the exterior designed to attract customers with its dynamic full color graphics, the interior is designed to help you serve your customers efficiently. All windows are made of high impact Mar-Guard Lexan, Offering a high degree of security. Mar-Guard Lexan is not only scratch resistant it is unbreakable.



- ① - Round Sign
- ② - Blower Tube (18 Inch Diameter 15 Feet High)
- ③ - Halogen Flood Light
- ④ - Cool Mist Spray
- ⑤ - Composite Fiberglass Roof, Ceiling, Counter And Shelf W/FDA Approved Gel Coat
- ⑥ - Lock Box
- ⑦ - Air Conditioner (9950 BTU 115Volts)
- ⑧ - Lit Top With 56 (8') 76 (12') Cubic Feet Of Overhead Storage

- ⑨ - 6 Puck Lights (8') 9 Puck Lights (12')
- ⑩ - Mar-Guard Lexan® Polycarbonate Facing (Blue Tint)
- ⑪ - Back Door With Optional Serving Window (34 wide x 77.5 high) Locking Serving Window
- ⑫ - 29 wide x 42 high 3 Serving Windows on 12' Building only
- ⑬ - Optional 21" Counter
- ⑭ - Electrical Panel (4 20 Amp Breakers)

- ⑮ - 12 - 110 Volt Outlets (8') 14 - 110Volt Outlets (12')
- ⑯ - 4 - On/off Switches
- ⑰ - 2 - Exterior 110 Outlets
- ⑱ - Water Tank Fill Cap
- ⑲ - 15 Gallon Water Tank
- ⑳ - 4 Basin Sink, Faucet, Sprayer
- ㉑ - Hand Washing Sink
- ㉒ - Drain
- ㉓ - Instant Hot Water (Coil 115 Volts)
- ㉔ - Water Pump
- ㉕ - Aluminum Skid Provides Heavy-duty Structure
- ㉖ - Sockets & Receivers For Wheels & Coupler



May Be Outfitted With Custom Graphics

**Snowie Shaved Ice LLC 1006 West Beardsley Place Salt Lake City, Utah 84119**  
**Phone (801) 268-2225 Fax (801) 268-1814 Toll Free 1-877-4-SNOWIE**