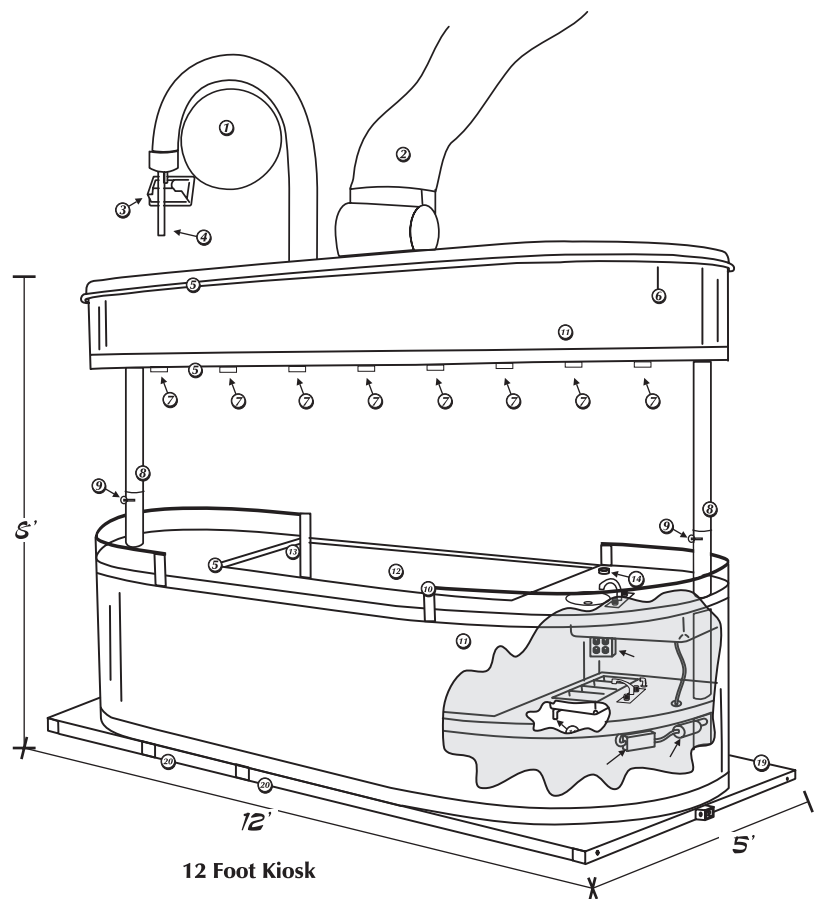
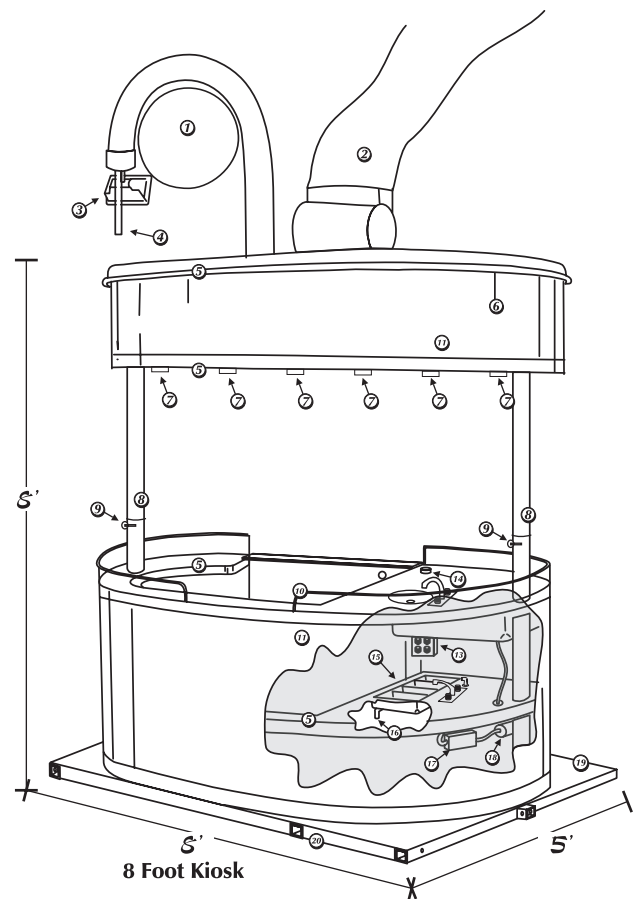
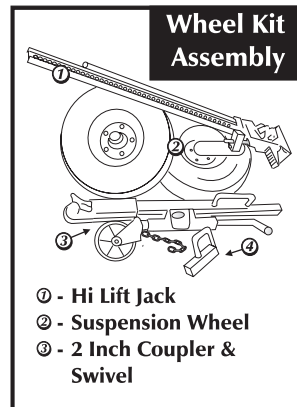




Just like our building but with a little different feel. This kiosk is great for indoor uses including malls and arenas, as well as large outdoor events. Our kiosk accommodates more workers and more lines which equals more money. It has many of the same features as the building minus the plastic windows making it easier to communicate with people in line. The Kiosk comes with an aluminum top or a cloth top as shown below. The tops go up and down for safe, easy transporting from location to location.



- ① - Round Sign
- ② - Blower Tube (18 Inch Diameter 15 Feet High)
- ③ - Halogen Flood Light
- ④ - Cool Mist Spray
- ⑤ - Composite Fiberglass Roof, Ceiling, Counter And Shelf W/ FDA Approved Gel Coat
- ⑥ - Lit Top With 56(8') 76(12') Cubic Feet Of Storage
- ⑦ - 6 Puck Lights (8')
- ⑧ - 9 Puck Lights (12')
- ⑨ - Telescoping Poles Easy Set-up And Take-down Top Collapses To 67" For Easy Mobility
- ⑩ - Pins
- ⑪ - 5" Sneeze Garde
- ⑫ - High Impact Graphics
- ⑬ - Optional 21" Counter 12' Building only
- ⑭ - 12 - 110 Volt Outlets (8')
- ⑮ - 14 - 110Volt Outlets (12')
- ⑯ - 4 - On/off Switches
- ⑰ - 2 - Exterior 110 Outlets
- ⑱ - Water Tank Fill Cap 15 Gallon Water Tank
- ⑲ - 4 Basin Sink Faucet With Sprayer
- ⑳ - Drain
- ㉑ - Instant Hot Water (Coil 115 Volts)
- ㉒ - Water Pump
- ㉓ - Aluminum Skid Provides Heavy-duty Structure
- ㉔ - Sockets & Receivers For Wheels & Coupler



May Be Outfitted With Custom Graphics